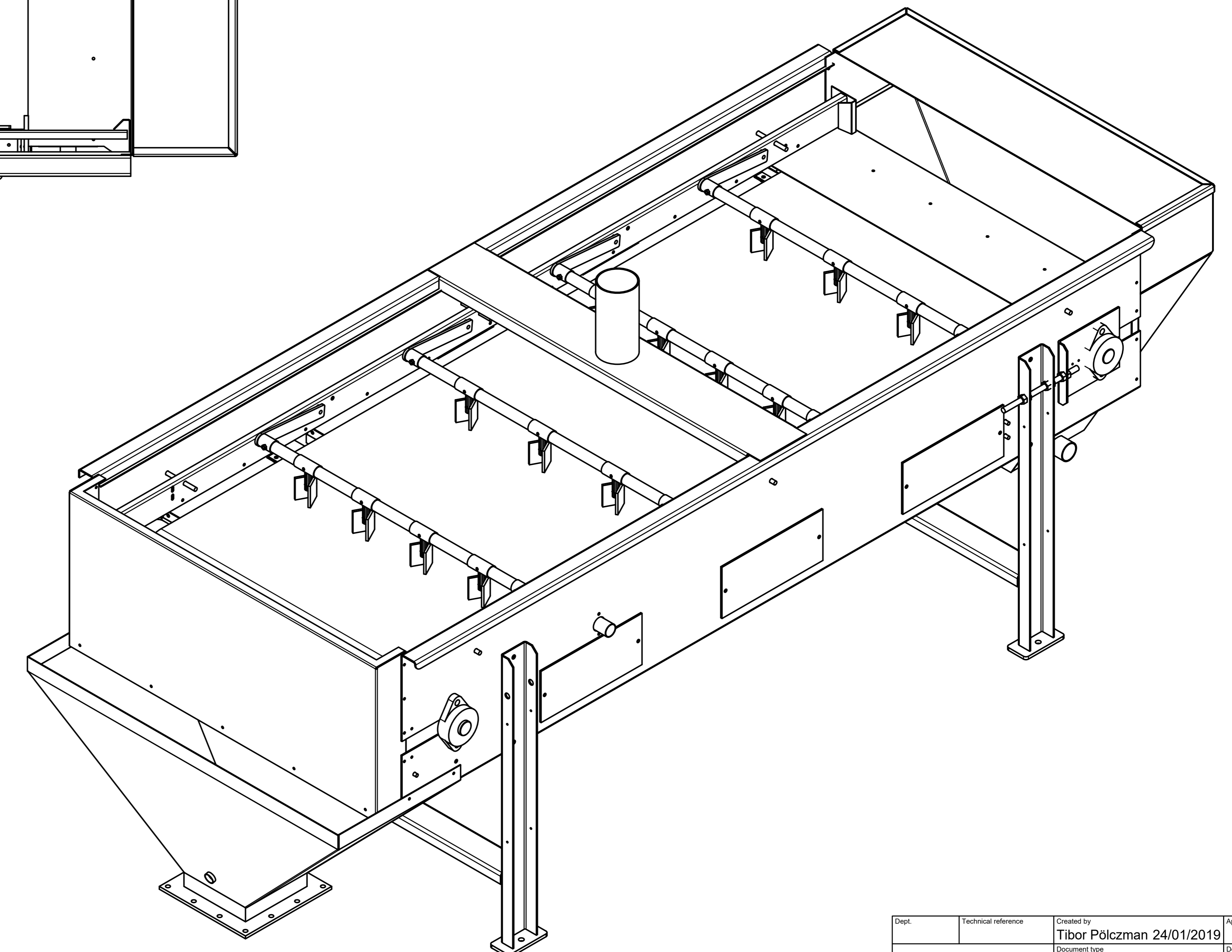
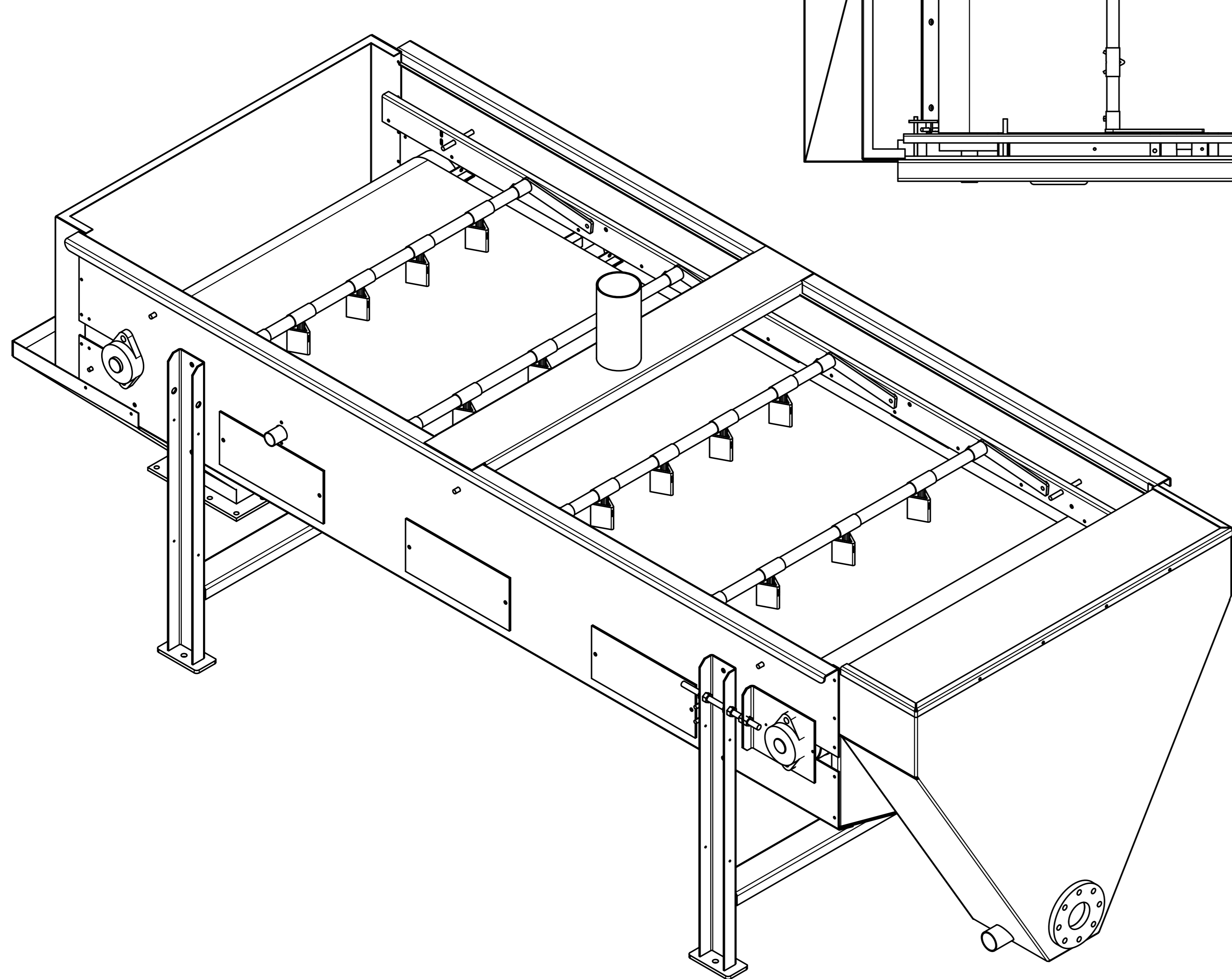
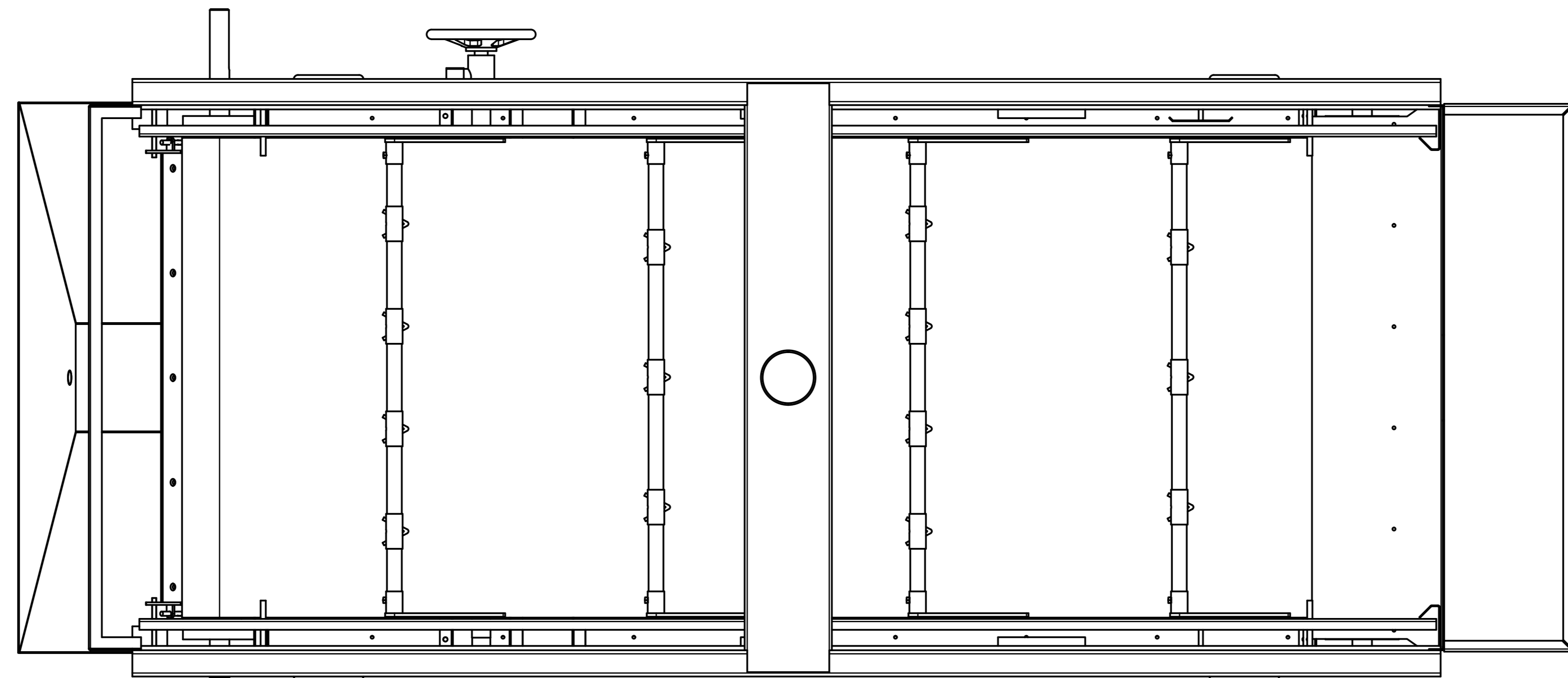


E-E (1:8)



Dwg:	Technical reference	Created by Tibor Pölczman 24/01/2019	Approved by
		Document type	Document status
		Title FDW-110	DWG No.
		Rev.	Date of issue
		Sheet	6/35